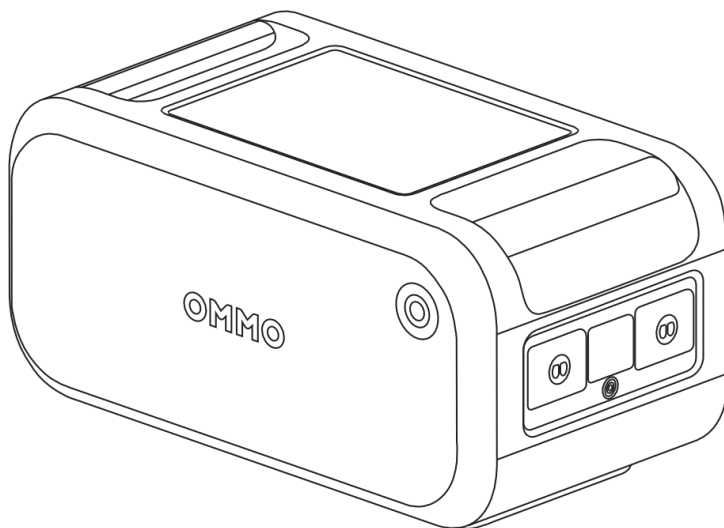


Storage Battery

OM-B2000A

User Manual



Please read this user manual and follow the instructions before using.

Please keep the user manual properly for future reference.

DongGuan OMMO Technology Co.,Ltd

Version: V1.00

Contents

| | |
|---|-----------|
| 1.Disclaimer | 1 |
| 2.Safety Notice | 1 |
| 2.1.Prohibitions..... | 1 |
| 2.2.Notice | 2 |
| 2.3.Transportation Precautions | 2 |
| 3.Packing List | 3 |
| 4.Product Description | 3 |
| 5.Operation display | 4 |
| 6.Device Connection | 5 |
| 6.1.On grid balcony energy storage system | 5 |
| 6.2.Connect with hybrid inverter balcony power plant..... | 6 |
| 6.3.Connect with OM-2400 portable power station | 7 |
| 6.4.Stacking display of battery and OM-2400 | 8 |
| 6.5 Battery Connection Steps | 9 |
| 6.5.1.Connection diagram of battery and OM-2400 | 9 |
| 6.5.2.Connection diagram of battery and battery | 10 |
| 6.5.3. Connection diagram of battery and PV HUB | 11 |
| 7.Basic Parameter | 12 |
| 8.Maintenance and disposal | 13 |
| 8.1 Maintenance..... | 13 |
| 8.2 Disposal | 13 |
| 9.Troubleshooting | 14 |

1.Disclaimer

Please read the user manual of this product to ensure that you use it correctly after fully understanding it. After reading, please keep the user manual in a safe place for future reference. If you do not operate this product correctly, you may cause serious injury to yourself or others, or cause product damage and property loss. Once you use this product, it is deemed that you have understood, recognized and accepted all the terms and contents of this document. The user promises to be responsible for his or her own behavior and all the consequences arising therefrom. OMMO does not bear any losses caused by the user's failure to use the product in accordance with the "User Manual".

Subject to laws and regulations, OMMO has the final right of interpretation of this document and all related documents of this product. If there is any update, revision or termination without further notice, please visit the OMMO official website for the latest product information.

2.Safety Notice

2.1.Prohibitions

1. Do not place this battery near heat sources, such as fire or heating furnace.
2. Do not allow this battery to contact any liquid, do not immerse this battery in water or soak it.
3. Do not use this battery in rain or humid environment.
4. Do not use this battery in strong static electricity or strong magnetic field environment.
5. Do not disassemble this battery in any way or pierce this battery with sharp objects.
6. Do not directly connect the positive and negative poles of the battery with metal wires or any metal at the same time.
7. Do not disassemble or replace the battery.
8. Do not stack other heavy objects on the battery except our battery.
9. Do not leave this battery in an unventilated or high-temperature space.

2.2.Notice

1. Please do not use NON-OMMO parts or accessories to avoid any risks. If you need to replace the parts, please visit OMMO's official website and reach out customer support for better assistance.
2. If the shell falls off or the inside part is exposed, please do not operate it by yourself. Please turn to professional personnel to check and repair it.
3. If the chemical substances inside the battery leak accidentally, please do not touch or inhale. If you accidentally contact your skin or eyes, please wash with plenty of clean water. If necessary, please take medical measures.
4. Do not wear metal objects such as watches, necklaces, bracelets, etc. to operate the battery to avoid accidentally causing a short circuit. If the battery catches fire, use fire extinguishing equipment in the following recommended steps: water or water mist, sand, fire blanket, dry powder fire extinguisher, carbon dioxide fire extinguisher.
5. When using the battery for the first time, if you find that the battery is not clean or has abnormal phenomena such as odor, do not continue to use the battery on the device, and return the battery back to the seller.
6. If the battery accidentally falls into the water during use, please place it in a safe open area, away from the battery until the battery is completely dry. The dried battery must not be used again, please contact after-sales service.
7. If the battery is still charging after the normal charging time has passed, stop charging immediately. Overcharging may cause the battery to heat up, smoke, deform, or burn.
8. Please store this battery out of reach of children and pets.

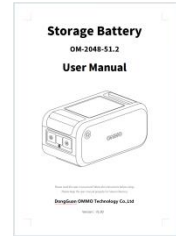
2.3.Transportation Precautions

1. When carrying the battery, grab on the non-slip metal handle on the top of the battery to avoid damage to other parts.
2. When carrying the battery, please fix it and keep it upright and stable.
3. Be careful to handle it.

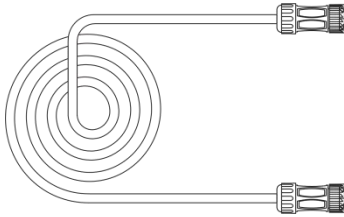
3.Packing List



OM-B2000A battery



User Manual



50cm Parallel cable



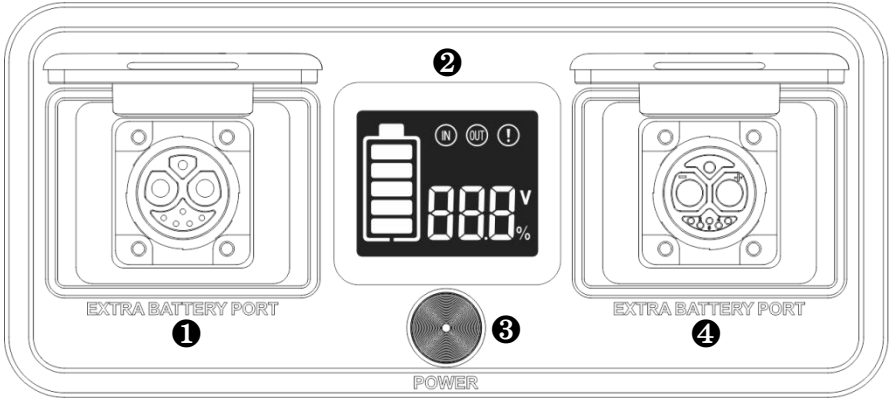
Warranty Card

4.Product Description

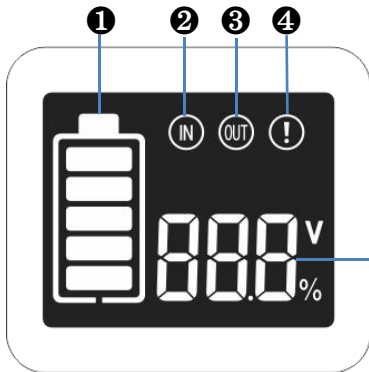
OM-B2000A battery can be used with host devices such as OM-2400 series and PV-HUB as a capacity expansion and energy storage battery.

Built-in LiFePO4 battery and safe & reliable battery management system protect your device from potential risks in daily use, it expands an additional 2048Wh capacity to keep the device running longer.

5.Operation display



- 1.Parallel expansion interface
2. LCD display
- 3.Switch and function display information switching button
- 4.Main interface (external charging/discharging)



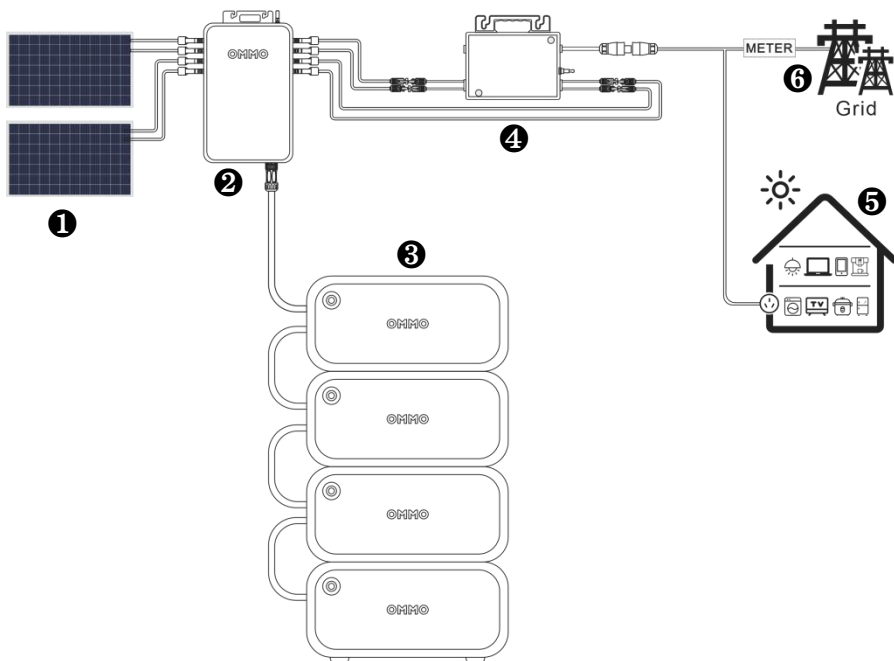
- 1.Battery percentage (SOC)
- 2.Input(IN)
- 3.Output(OUT)
- 4.Warning(!)
- 5.Battery percentage(%)/voltage(v)
/Temperature/Error code toggle display

Operation steps:

1. Connect the battery to other main devices.
2. Press and hold the power button for 3 seconds to turn on the power.
3. When the power is on, press the button once to switch the information displayed on the LCD screen (power level (%)/voltage (V)/temperature/error code).
4. When the power is on, press and hold the button for 3 seconds to turn off the battery.

6. Device Connection

6.1. On grid balcony energy storage system



1. Solar panels

2. PV-HUB

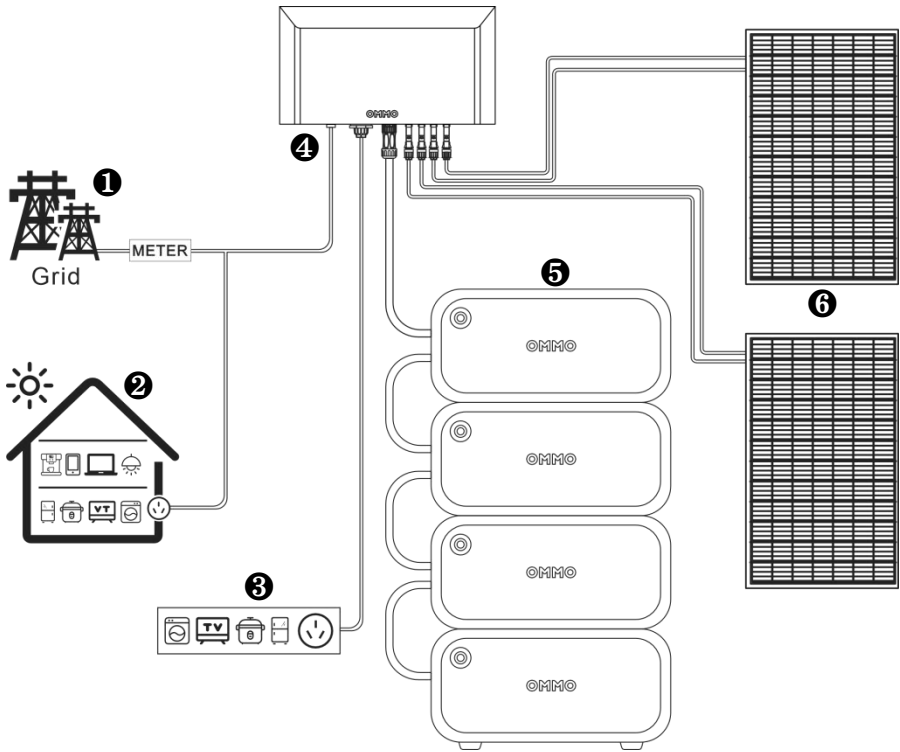
3. OM-B2000A battery

4. Micro inverter

5. On-Grid load

6. Public grid

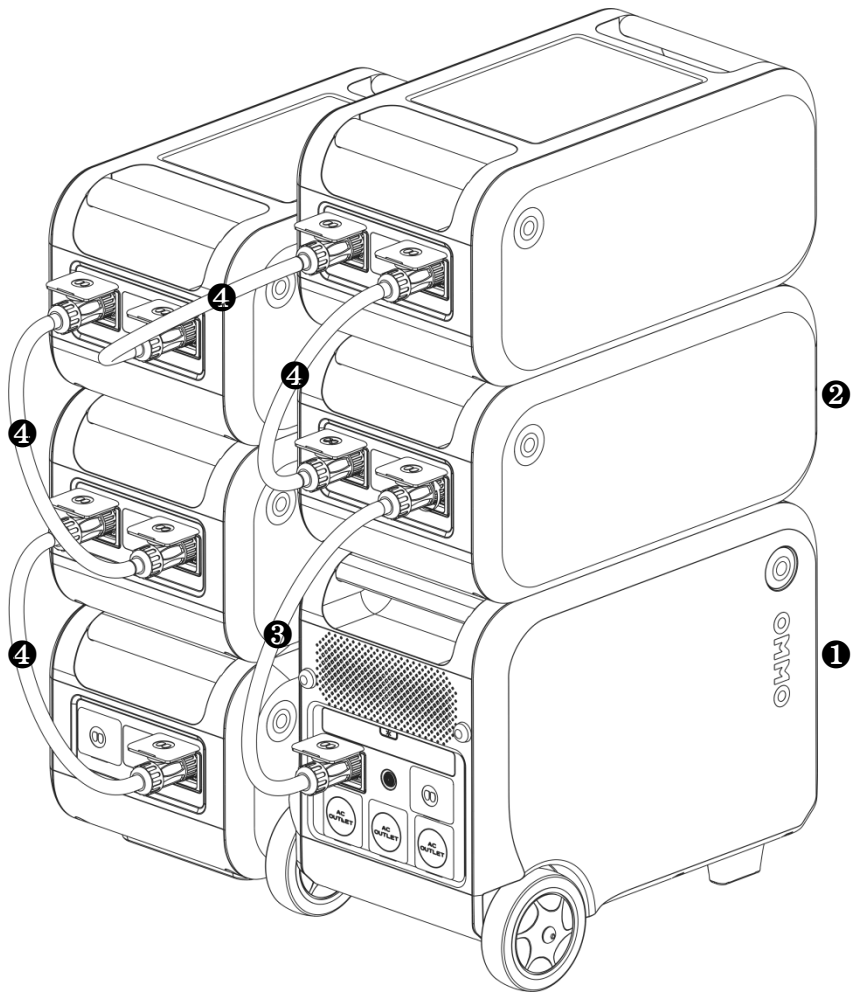
6.2. Connect with hybrid inverter balcony power plant



- 1.Public grid
- 2.On-Grid load
- 3.Off-Grid load

- 4.Hybrid inverter
- 5.OM-B2000A battery
- 6.Solar panels

6.3.Connect with OM-2400 portable power station



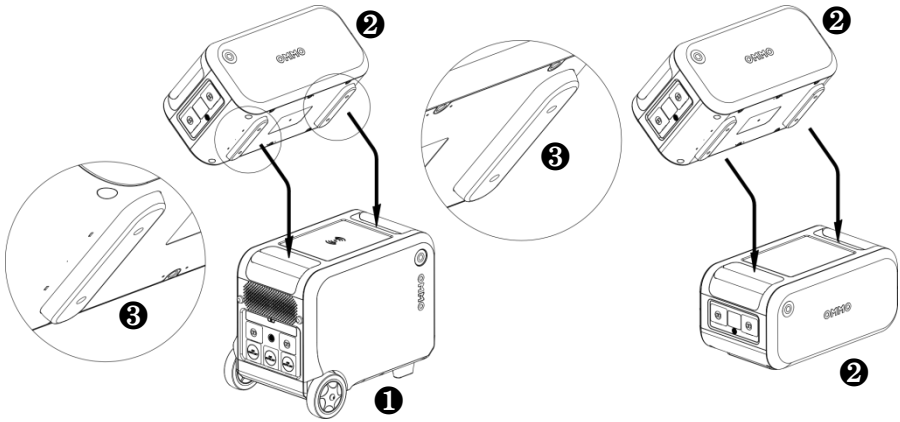
1.OM-2400 portable power station

2.OM-B2000A battery

3.Connection cable for OM-2400 and battery (70cm)

4.Connection cable between battery and battery (50cm)

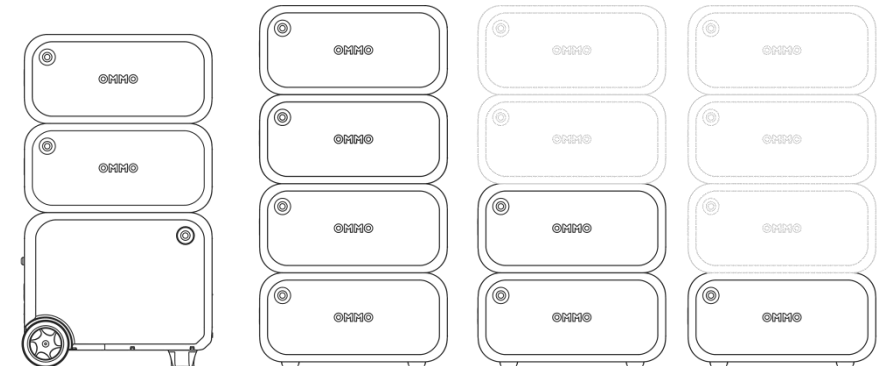
6.4. Stacking display of battery and OM-2400



1. OM-2400 portable power station
2. OM-B2000A battery
3. Rubber mat

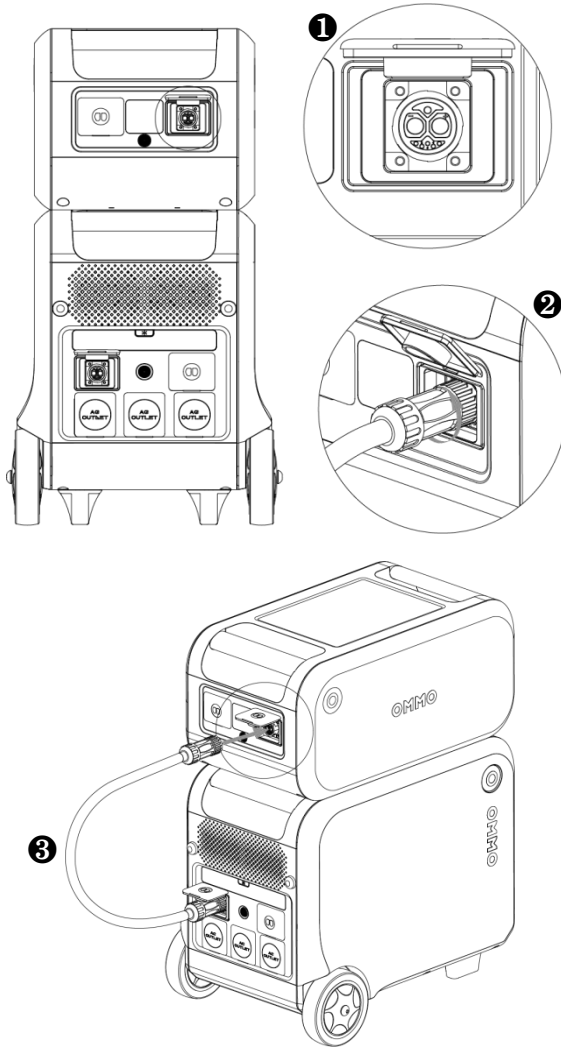
Note:

1. Align the foot pads with the mounting holes;
2. The number of batteries stacked with OM-2400 shall not exceed 2;
3. The number of batteries stacked with each other shall not exceed 4;
4. When handling, separate handling, non-stackable transportation;



6.5 Battery Connection Steps

6.5.1. Connection diagram of battery and OM-2400

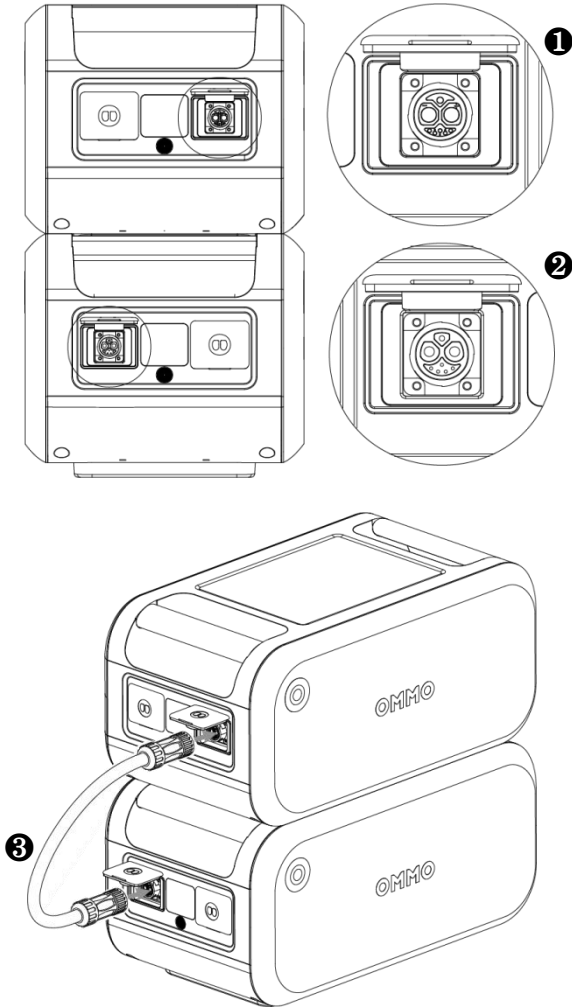


1. Battery main interface (external charging/discharging)
2. Plug removal method
3. 70cm connection cable

Notes:

1. Connect the right main interface of the battery to the parallel port of the OM-2400 through a 70cm cable;
2. Make sure the plug is locked;

6.5.2.Connection diagram of battery and battery

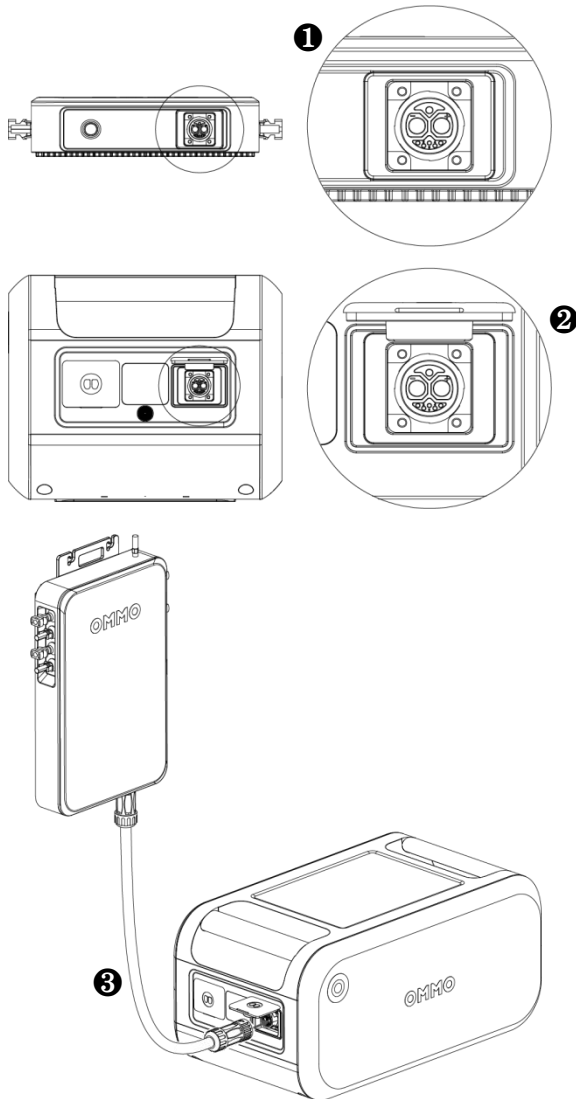


- 1. Battery main interface
(external charging/discharging)
- 2. Battery parallel interface
- 3. 50cm connection cable

Notes:

- 1. Connect the left port of the battery to the right port of another battery through a 50cm cable;
(Notes: The plugs at both ends of the cable have different specifications and correspond to different interfaces. Ensure connection is correct.)
- 2. Make sure the plug is locked;
- 3. Make sure the plug is locked;

6.5.3. Connection diagram of battery and PV HUB



- 1.PV-HUB and battery connection port
- 2.Battery main interface (external charging/discharging)
- 3.70cm connecting cable

Notes:

- 1.Connect the wires after the PV-HUB is fixed;
- 2.Make sure the plug is locked;
- 3.Please turn the front ring to remove the plug.

7.Basic Parameter

| Item | Specification |
|-----------------------------------|---------------------------------------|
| Mould | OM-B2000A |
| Battery type | LiFePO ₄ |
| Rated Capacity | 40Ah |
| Minimum Capacity | ≥39Ah |
| Watt-hour | 2048Wh |
| Rated voltage | 51.2V |
| Battery IR | IR≤30mΩ |
| Charging voltage | 58.4V |
| Charging cut-off current | 0.8A |
| Standard charging | 28A |
| Standard discharging | 40A |
| Max. continuous discharge current | ≤55A |
| Battery operating voltage | 40V-58V |
| Cycle life | ≥4000 cycles (@original capacity≥80%) |
| Net weight | 18.5Kg |
| Charging temperature | 0~40°C |
| Discharging temperature | -10~40°C |
| Storage temperature | 0~40°C(20°C~30°C optimal) |
| Storage humidity | 10~90% |
| Shipment SOC | ≥30% |
| Dimension | 498*287*250mm |

Note:

Whether the battery can be charged or discharged depends on the actual temperature.

8.Maintenance and disposal

8.1 Maintenance

1. Store the battery in a dry, well-ventilated environment. If the temperature of the storage environment is too high or too low, it will affect the battery's natural discharge rate and accelerate the natural deterioration of the battery. The recommended storage temperature is 0-40°C, and store it away from water sources, heat sources, and other metal objects.
2. If not used for a long period of time, it is recommended to store the battery at half charge (60% SOC). Discharge the battery to 30% once every three months, and then charge it to 60%.
3. For safety reasons, do not store the battery in an environment above 45°C or below 20°C for a long period of time.
4. To extend the battery's lifespan, it is recommended to use it in an environment between 20°C and 45°C.
5. If the environmental temperature is below -20°C, the battery will not be able to charge or discharge.
6. If the battery's power level is less than 1%, please charge it to 60% before storing it. Leaving the battery in a severely low power state for a long period of time will cause irreversible damage to the battery cells and shorten the life of the battery.
7. If the battery is severely low on power and left for a long period of time, the battery will enter deep sleep mode. It needs to be charged and restored before it can be used again.
8. If cleaning is required, wipe the battery with a dry soft cloth or clean tissue.

8.2 Disposal

1. Be sure to fully discharge the battery before placing it in a designated battery recycling bin. This product contains a battery, which contains dangerous chemicals and is strictly prohibited from being disposed of in normal trash. For relevant details, please follow local battery recycling and disposal laws and regulations.
2. If the battery cannot be fully discharged due to a fault, do not dispose of the battery directly in a battery recycling bin. Please contact a professional battery recycling company for proper disposal.

9.Troubleshooting

| Fault Code | Fault Description | Troubleshooting |
|------------|--|--|
| E01 | Short circuit protection Discharge overcurrent protection | Remove the load and restart the machine |
| E02 | Discharge over-current protection | Remove the load and restart the machine |
| E03 | Charge over-current protection | Remove the load and restart the machine |
| E04 | Voltage over-discharge protection | Remove the load and restart the machine |
| E05 | Voltage over-charge protection | Remove the load and restart the machine |
| E06 | Cell over-0temperature protection | Please place in a ventilated space, and it will automatically recover after the temperature drops. |
| E07 | Cell low temperature protection | It will automatically recover after the temperature > 5°C. |
| E08 | AFE error | Please contact after-sales service. |
| E09 | Voltage difference (reaching the set value) | The device will automatically recover. If it cannot recover, please contact after-sales service. |
| E10 | MQS power efficiency component replacement | Please place in a ventilated space, and it will automatically recover after the temperature drops. |
| E11 | Temperature difference (reaching the set value) | Recover after the temperature difference is less than 20°C. |
| E12 | Constant current module charging | The device will automatically recover. If it cannot recover, please contact after-sales service. |

Note: If the problem persists after troubleshooting, please contact our after-sales.